



# FLIP TABLE

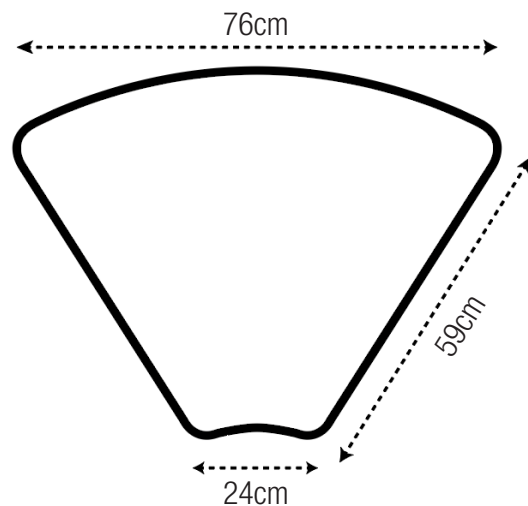
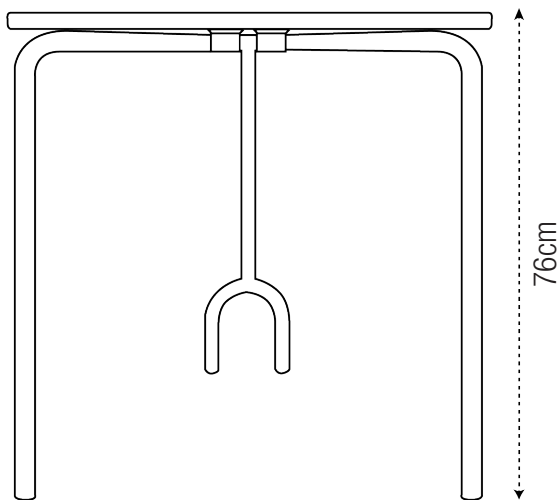
## FOLDING TABLE

**Flip folding table with recessed wheels H 76 cm.**  
HLG-FL-AVGR-76-NB (melamine top)  
HLG-FL-AVGR-76-HPL (HPL top)

Ideal for flexible and adaptable learning spaces, these modular and dismountable tables with built-in recessed wheels, adapt easily to any type of lesson in the classroom: in files, in groups, in waves or in a circle. These mobile tables easily facilitate to arrange the classroom environment and support the alternation of the different activities and work phases. The remodeling of the spaces is made comfortable and simple thanks to the two wheels and to the support surface; the table can in fact be positioned vertically when not in use, allowing to reduce the overall dimensions to a minimum, compacting all the desks in a single row of small

dimensions. These trapezoidal tables with 60 ° angles allow to create isles with 6 stations each. The supporting structure is made of 32mm diameter tubular steel painted with RAL 9006 epoxy powders. The top is made of 20 mm thick melamine material with rounded safe edges in ABS ivory color with gray border. Available upon order also in the version with HPL top (the most durable laminate).

Dimensions: 76 (L) x60 (W) cm.  
Available with heights from 76 cm.



The table can be positioned vertically when not in use

Built-in recessed wheels for easy and quick set up

